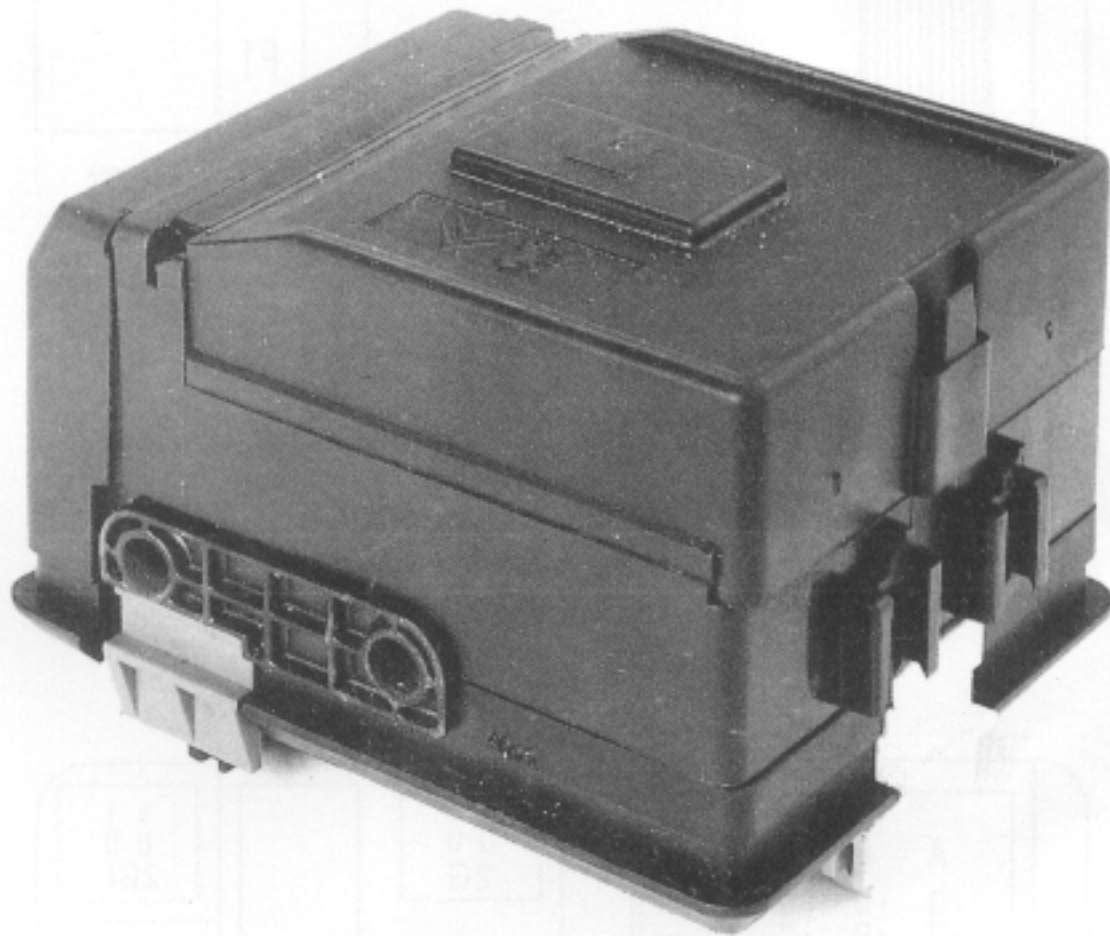




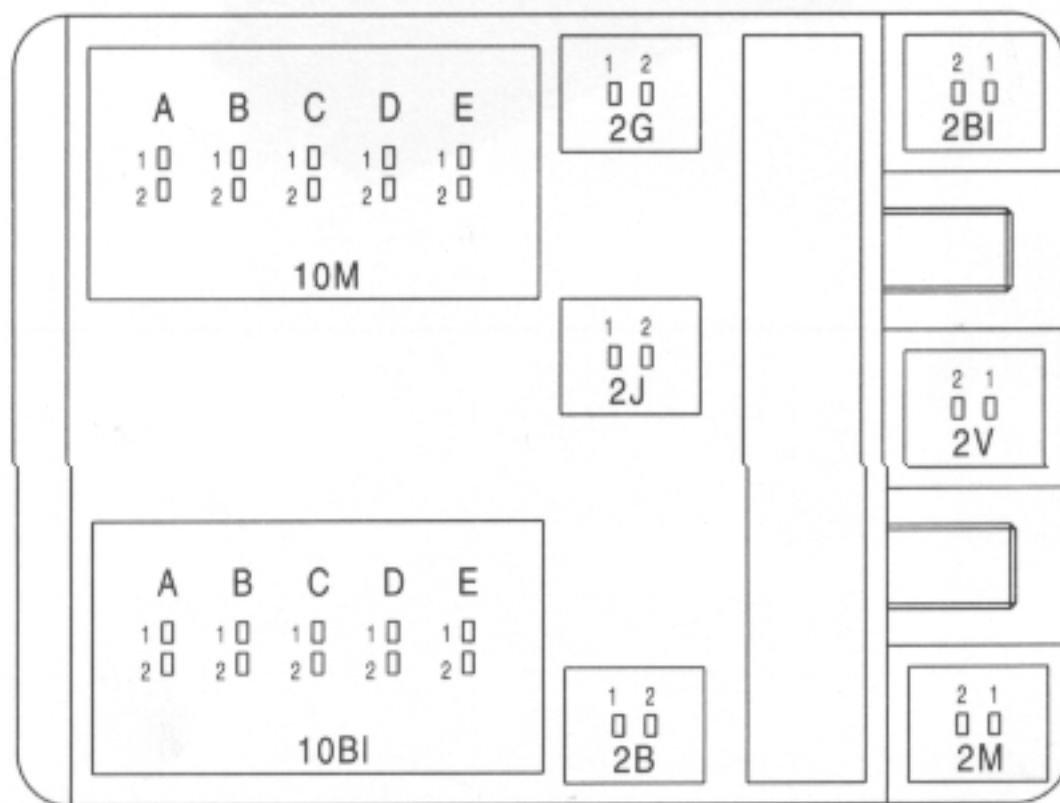
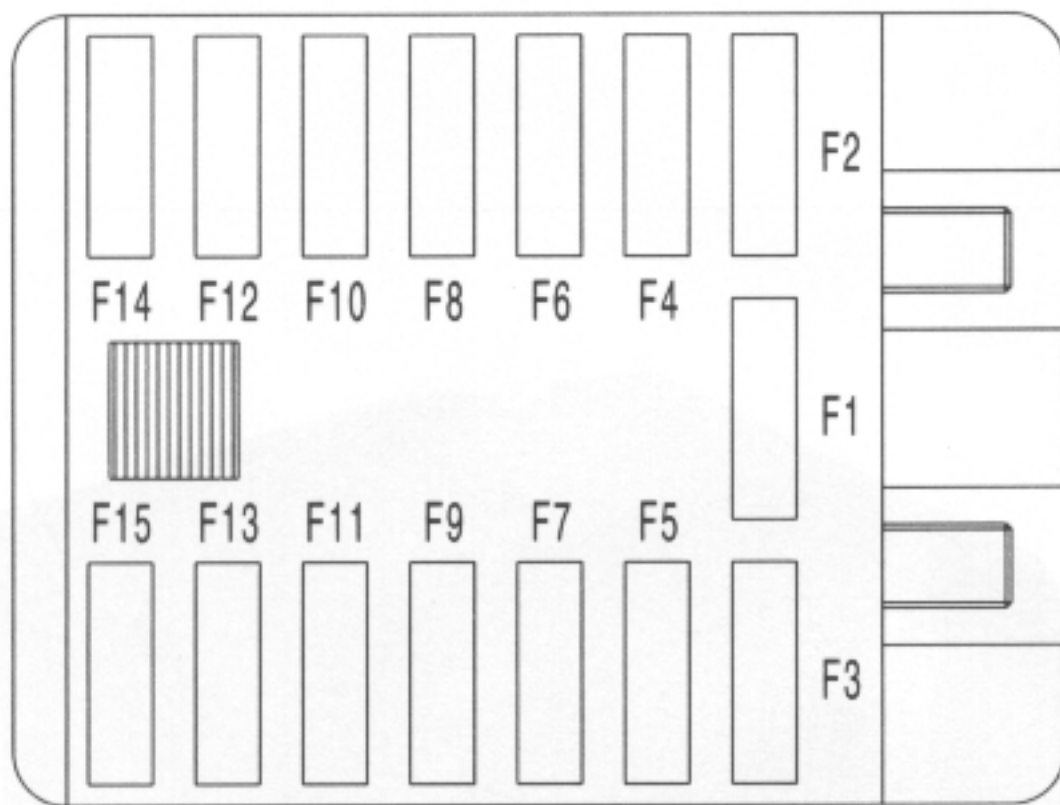
50

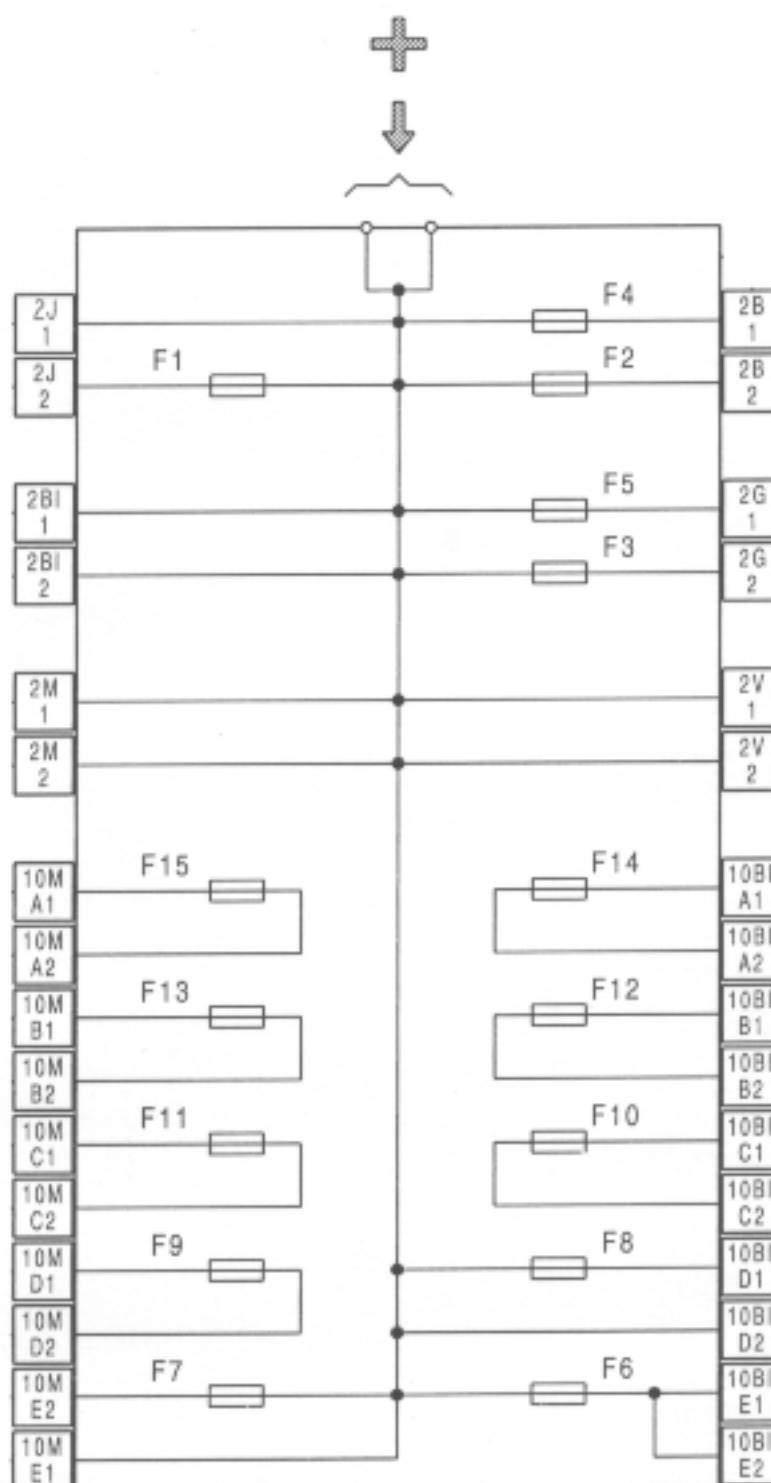


94-935



50





F1 10A EGR control box supply
Pre-heater plug supply

F2 30A Air conditioning or
refrigeration supply

F3 30A ABS hydraulic valve block

F4 - Not used

F5 - Not used

F6 - Not used

F7 - Not used

F8 - Not used

F9 10A R.H. main beam

F10 - Not used

F11 10A L.H. main beam

F12 - Not used

F13 10A L.H. dipped beam

F14 - Not used

F15 10A R.H. dipped beam

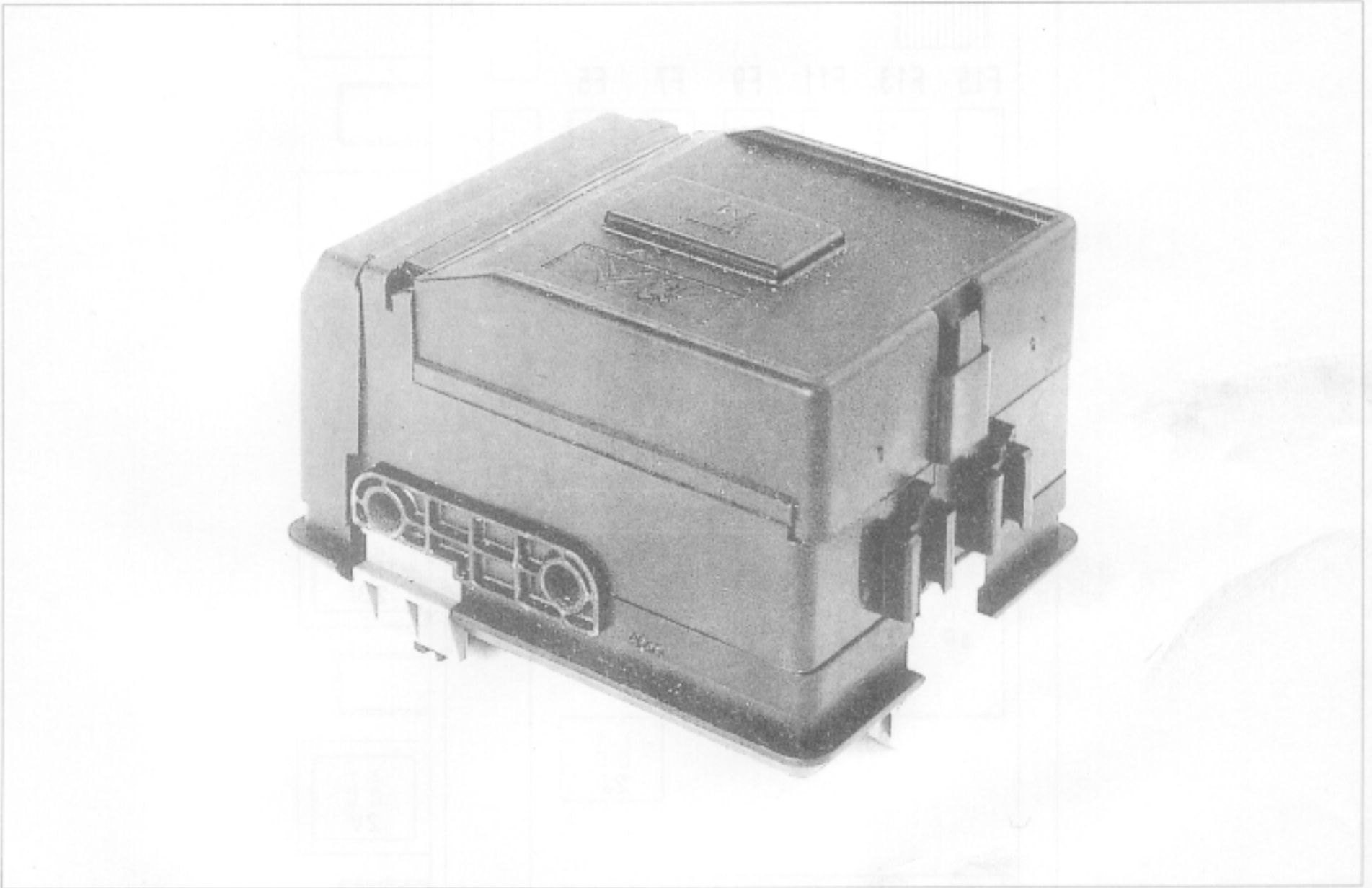
Max. Fuse

48 40A L.H. and R.H. electric cooling fans

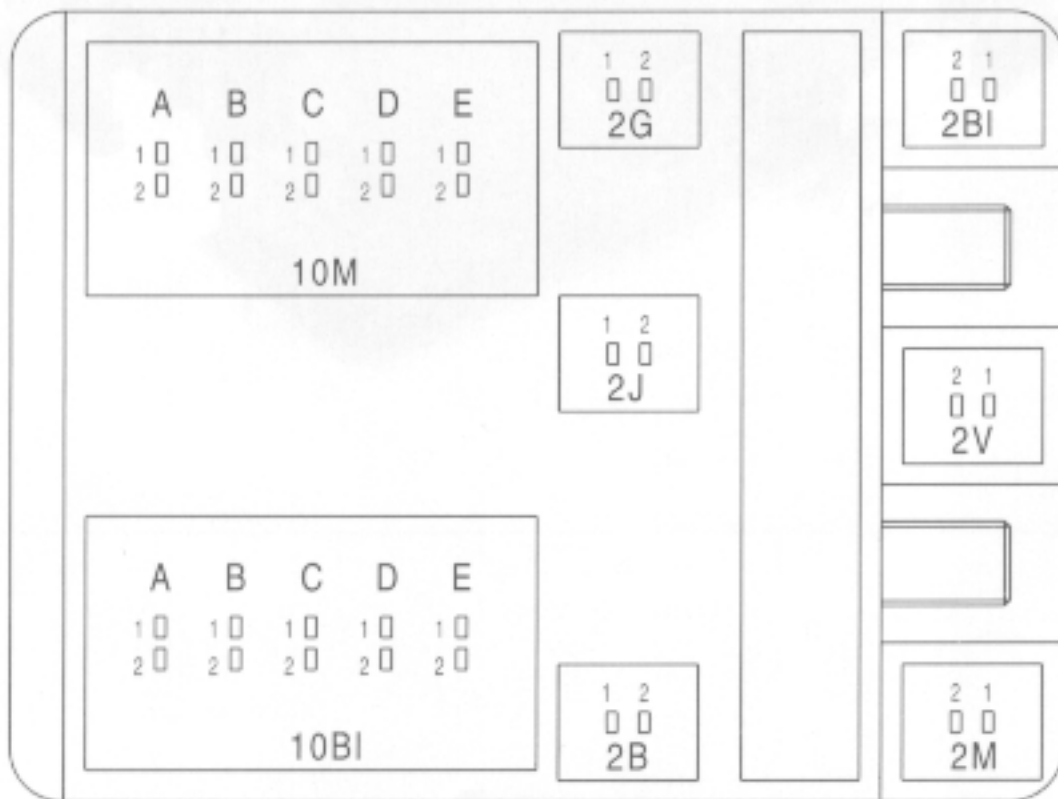
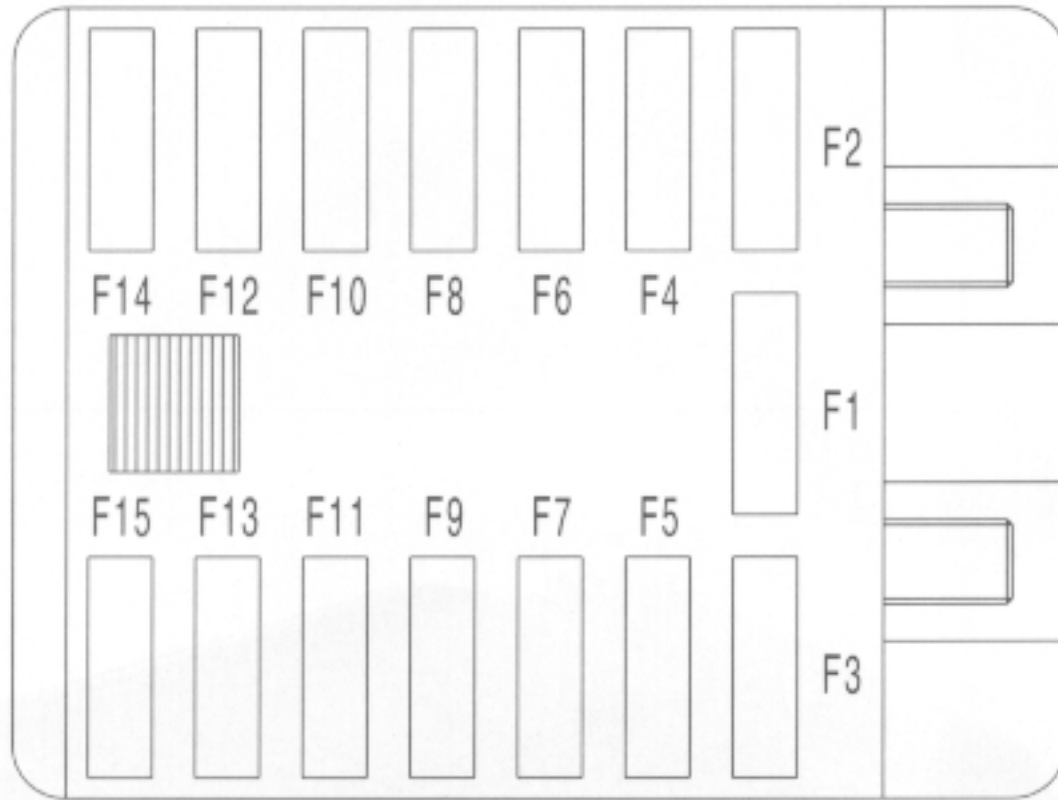
49 30A R.H. electric cooling fan



50

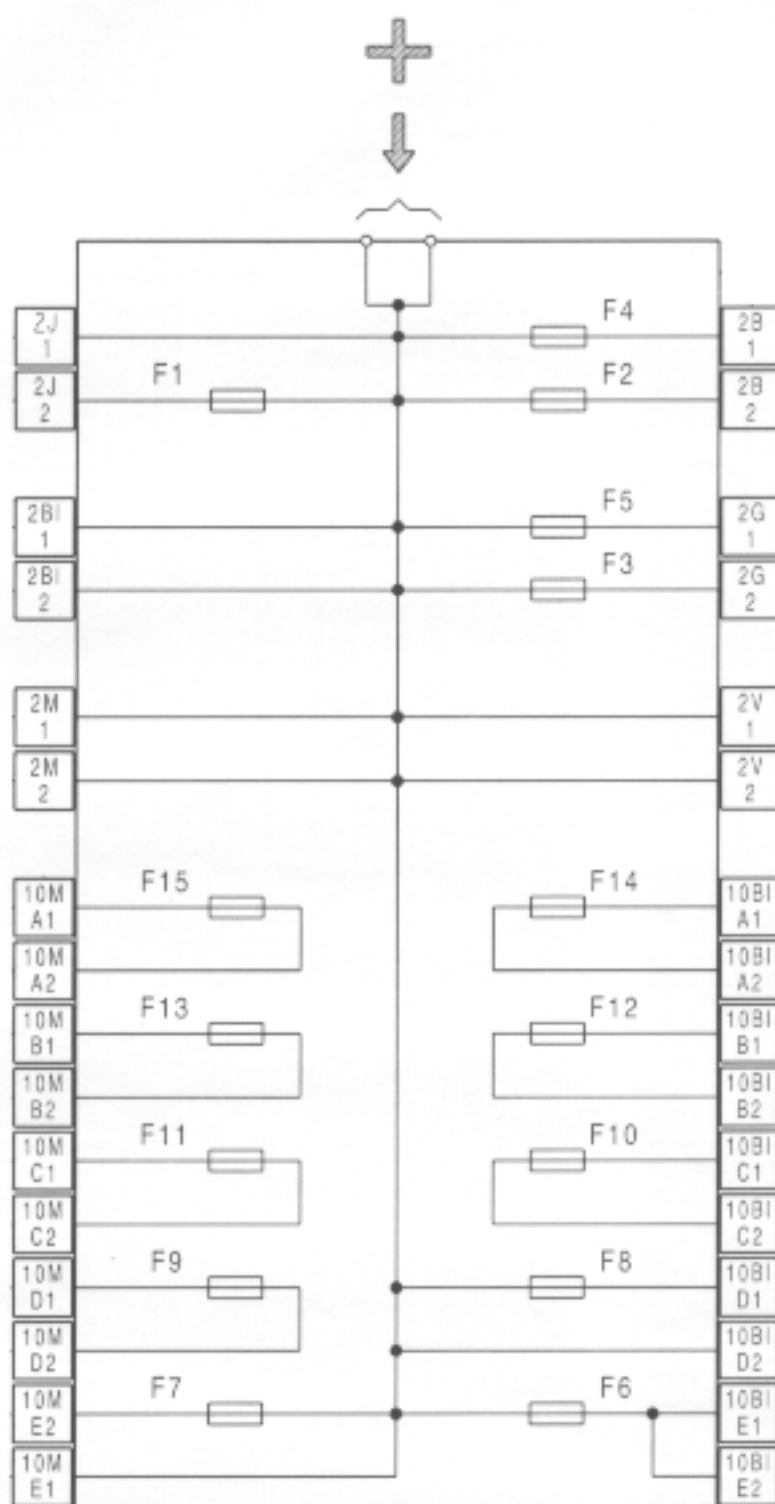


94-935





50



F1	10 A	EGR control box supply Preheater plugs supply	F8	-	Not used
F2	40A	Air conditioning or refrigeration supply	F9	10A	R.H. main beam
F3	30A	ABS hydraulic valve block	F10	10A	Auto. gearbox 4HP20 or not used
F4	-	Not used	F11	10A	L.H. main beam
F5	-	Not used	F12	10A	Oxygen sensor
F6	-	Not used	F13	10A	L.H. dipped beam
F7	-	Not used	F14	15A	Fuel pump
			F15	10A	R.H. dipped beam
Max. Fuse					
48	40A	L.H. and R.H. electric cooling fans	49	40A	R.H. electric cooling fan

502-00/2a